

## IFO Internally Fed Rotary Screens

The IFO Series of internally-fed rotary drum screens for industrial wastewater applications is designed to provide superior solids recovery from waste streams. The IFO Series can handle flows from 55 to 4000 gpm (12 to 908 m<sup>3</sup>/hr) dependent on screen design selected. These internally-fed drum screens are typically applied to flume waters.

The IFO Series is constructed of an all stainless steel tubular frame which supports the screen. Its cylindrical drum is mounted horizontally on four shaft-mounted wheels. The drum rotates at 4-5 rpm and is driven by a top-mounted, TEFC motor, geardrive, stainless steel chain and sprocket. The IFO/W series screening element is a wedgewire drum with typical slot openings ranging from 0.010 to 0.100 inches (250 to 2540 microns), and the IFO/P series screening element is a perforated drum with typical openings ranging from 1/16 to 3/8 inch diameter. Other opening and slot sizes are available if needed for specialized customer applications.

### METHOD OF OPERATION

The influent enters a short spillway, where the energy is dissipated and the flow is evenly distributed onto the interior of the rotary screening drum. Solids are retained on the screen surface while the liquid flows radially out through the screen openings. Screened solids are transported axially by internal flights, to the open end of the rotary drum screen. The entire screening surface is intermittently washed by a fixed external spray bar.



### Features

#### All Stainless Steel Construction

- Includes all wetted surfaces and support frames.
- Robust construction reduces down-time and maintenance costs.

#### Design and Construction Flexibility

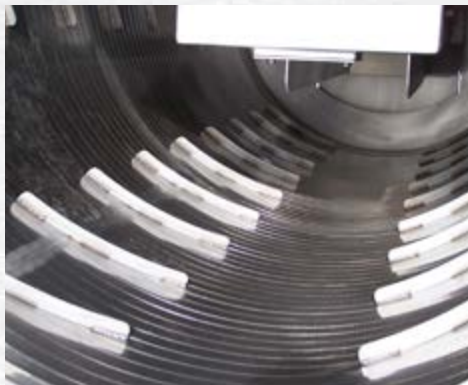
- Screening media, inlet and outlet points and leg height can all be easily customized to fit a specific application.

#### Reduce Water Usage

- Only Intermittent spray wash is required to keep drum screen clean reducing water usage.

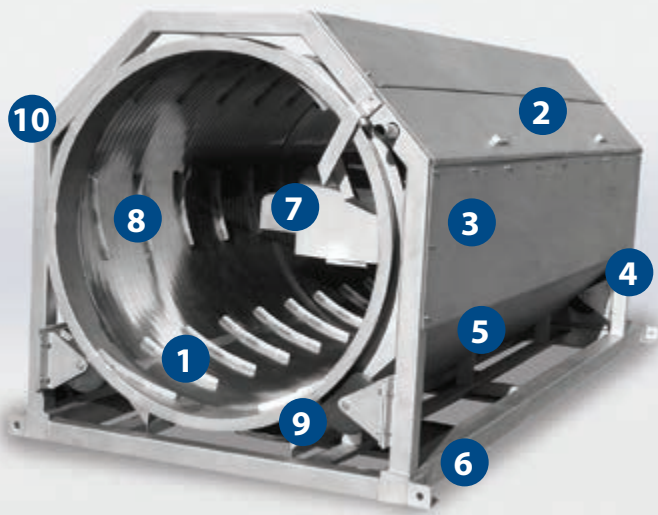
### Applications

- Seafood Processing - Offal
- Pulp & Paper - rejects
- Meat & Poultry Processing - Offal & Feathers
- Potato Processing - flume water
- Vegetable Processing
- Winery Effluent
- Biomass Dewatering

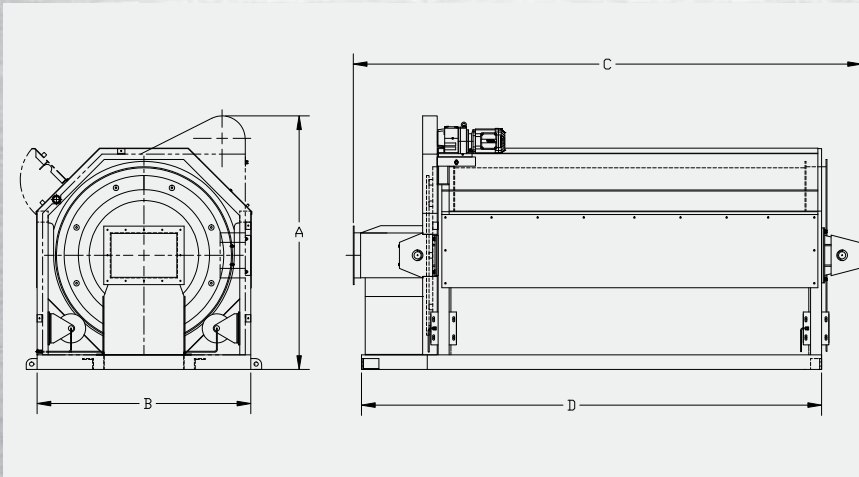




## IFO DETAILS



1. Screen Drum
2. External Spray Wash Hatch
3. Enclosure Cover
4. Drum Wheel
5. Effluent Outlet
6. Stainless Steel Base
7. Spray Wash Collection
8. Flights
9. Drum Head
10. Tube Frame



## Standard Construction

- 304 stainless steel construction
- 4 inch tube base & 3 inch tube frame (Drum Dia. 36 inch & larger)
- 2 inch tube base & frame (Drum Dia. 18 inch)
- Splash guards, 14 guage
- Top-mounted, helical, TEFC motor and gear drive
- Corrosion resistant zinc plated roller chain
- UHMW shaft-mounted trunnions
- Influent spillway
- Internal flights
- External spray bar
- Spray water deflector
- Drainage pan (Drum Dia. 18 inch)
- Enclosure (Cover) (Drum Dia. 18 inch)
- Discharge chute (Drum Dia. 18 inch)

MODEL CODE

IFO XX XX

Drum Diameter  
Inches

Drum Length  
Inches

Screening Medium	Typical Screen Openings* - inches (mm)
Wedgewire Drum	0.01 to 0.100 (0.25 to 2.5)
Perforated Drum	1/16" to 3/8" (1.6 to 9.5)

IFO Model	Standard Dimensions - inches (mm)				Approximate Net Weight - lbs (kg)
	A	B	C	D	
IFO1824	43-1/2 (1105)	28-3/4 (730)	52-1/4 (1327)	NA	350 (159)
IFO1836	43-1/2 (1105)	28-3/4 (730)	66 (1676)	NA	450 (204)
IFO3636	57-1/4 (1454)	46-3/4 (1187)	69 (1753)	60 (1524)	800 (363)
IFO3696	57-1/4 (1454)	46-3/4 (1187)	135 (3429)	120 (3048)	2200(997)
IFO4872	69-1/2 (1765)	58-1/2 (1486)	115 (2921)	102 (2591)	2200 (998)
IFO48120	69-1/2 (1765)	58-1/2 (1486)	163 (4140)	150 (3810)	3000 (1361)
IFO6072	79-1/2 (2019)	71 (1803)	128-3/4 (3270)	114-1/2 (2908)	2700 (1225)
IFO60120	79-1/2 (2019)	71 (1803)	176-3/4 (4489)	162-1/2 (4228)	4600 (2087)

This chart is only to be used as a guide. For specific sizing inquiries please contact JWC Environmental.

\* Other Drum lengths & screen openings are available. Please contact factory for more information.

## Options

- 304 stainless steel roller chain
- Perforated or wedgewire drum
- Drainage pan
- Enclosure (Cover)
- Discharge chute
- Full, spiral flights
- Control panel
- Extended drum heads available\* (Drum Dia. 36 inch & larger)



**Headquarters**  
2850 S. Red Hill Ave., Suite 125  
Santa Ana, CA 92705 USA  
toll free: **800.331.2277**  
phone: **949.833.3888**  
fax: **949.833.8858**  
email: **jwce@jwce.com**



[www.jwce.com](http://www.jwce.com)