

IFU Internally Fed Rotary Screens



The IFU Series of internally fed rotary drum screens for industrial wastewater applications is designed to provide superior solids recovery from waste streams. The IFU Series is specifically for moderate flow and low-to-medium solids loading. The IFU Series can handle flows from 225 to 1940 gpm (51 to 441 m³/hr) depending on the selected screen design. This fully enclosed compact unit includes all the essentials for trouble-free screening of common wastewater streams.

The IFU Series is constructed of an all stainless steel frame. The cylindrical-shaped screening element can be wedgewire, perforated plate or mesh. Screen openings typically range from 0.010 to 0.25 inches (250 – 6000 microns). The screen cylinder rotates on four UHMW trunnion wheels with sealed bearings and is driven by a TEFC motor, geardrive and corrosion-resistant chain and sprocket. It has a fixed spray bar for an automatically applied cleaning shower. All the functions are economically integrated into uniframe housings.

Method of Operation

The influent enters a headbox where the energy is dissipated, and the flow is evenly distributed onto the interior of the rotary screening drum. Solids are retained on the screen surface while the liquid flows radially out through the screen openings. Screened solids are transported axially, by internal flights, to the open end of the rotary drum screen. The entire screening surface is intermittently washed by a fixed external spray bar.

Features

All stainless steel construction

- Includes all wetted surfaces and support frames
- Robust construction reduces downtime and maintenance costs

Unitary base frame

- Fully welded frame and lower enclosure provide trouble-free screening
- Rigid and durable frame structure for smooth rotation and low total cost of ownership

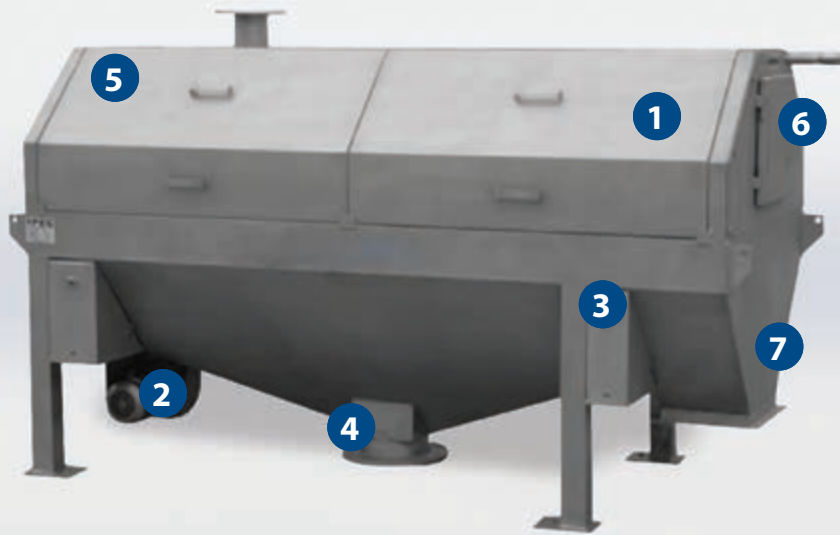
Economical screening solution

- Screening media and leg height can be easily customized to fit a specific application

Applications

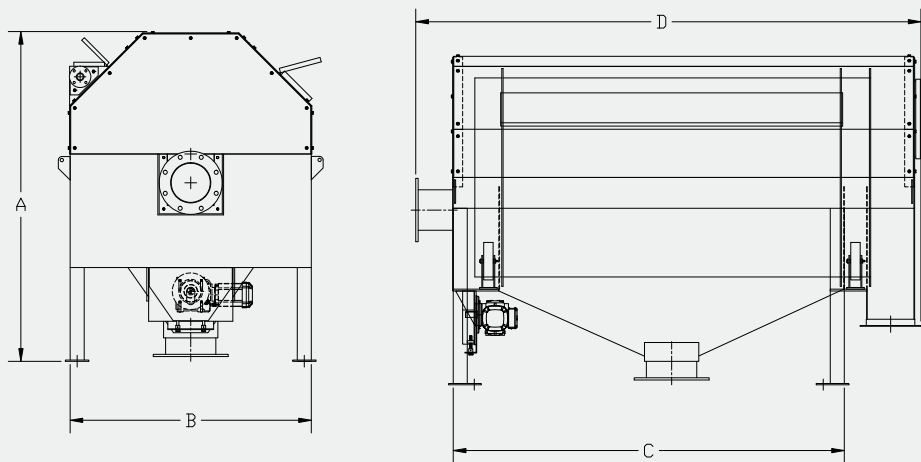
- Vegetable and fruit process water
- Seafood processing plant effluent
- Meat processing plant effluent
- Poultry plant effluent
- Biomass dewatering
- Many others





IFU DETAILS

1. Stainless steel unitary body
2. TEFC motor and geardrive
3. Drum wheel complete with cover
4. Effluent flanged
5. Vapour enclosure
6. Inspection hatch
7. Solids discharge chute



Standard Construction

- 304 stainless steel construction
- Unitary body
- TEFC motor and geardrive
- Corrosion-resistant zinc-plated roller chain
- UHMW drum wheels with internal bearing
- Internal flights
- External spray bar
- Enclosure (cover)
- Integral drainage pan and solids chute

Options

- 316 stainless steel construction
- 304 stainless steel roller chain
- UHMW drum wheels with greaseless internal bearing (drum diameter 30 inch (762 mm))
- Control panel
- Internal spray bar
- Automatic chain oiler

MODEL CODE IFU XX XX

MODEL CODE Drum Diameter Inches Drum Length Inches

IFU Model	Standard Dimensions - inches (mm)				Approximate Net Weight - lbs (kg)
	A	B	C	D	
IFU3036	52 (1321)	38-1/4 (972)	47-1/4 (1200)	71-5/8 (1819)	1000 (454)
IFU3048	52 (1321)	38-1/4 (972)	59-1/4 (1505)	83-5/8 (2124)	1200 (544)
IFU3060	52 (1321)	38-1/4 (972)	71-1/4 (1810)	95-5/8 (2429)	1400 (635)
IFU4248	70 (1778)	51-1/2 (1308)	59-1/2 (1511)	84 (2134)	1800 (817)
IFU4272	70 (1778)	51-1/2 (1308)	83-1/2 (2121)	108 (2743)	2200 (998)
IFU5472	88-3/8 (2118)	64 (1626)	86 (2184)	111-1/2 (2832)	3600 (1633)
IFU5496	88-3/8 (2118)	64 (1626)	110 (2794)	135-1/2 (3442)	4200 (1905)

This chart is only to be used as a guide. For specific sizing inquiries please contact JWC Environmental.

	IFU 3036	IFU 3048	IFU 3060	IFU 4248	IFU 4272	IFU 5472	IFU 5496
Inlet Flange Size - inches (mm)	6 (150)	6 (150)	6 (150)	8 (200)	8 (200)	12 (300)	14 (350)
Outlet Flange Size - inches (mm)	6 (150)	8 (200)	8 (200)	8 (200)	10 (250)	14 (350)	16 (400)



Headquarters
 2850 Red Hill Ave., Suite 125
 Santa Ana, CA 92705 USA
 toll free: **800.331.2277**
 phone: **949.833.3888**
 fax: **949.833.8858**
 email: **jwce@jwce.com**

www.jwce.com

