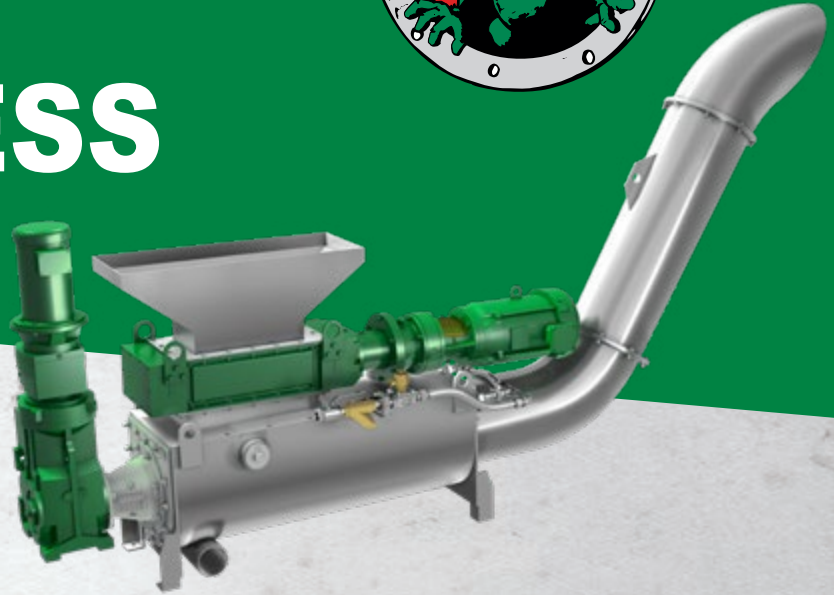




MONSTER WASH PRESS



The Monster Wash Press is JWC Environmental's latest generation of washer compactors. The Monster Wash Press processes screenings to separate water and organics from the solids. The result is a clean, dry, light and compact discharge which reduces the amount of waste to be dumped, ultimately saving treatment facilities time and money.

The Monster Wash Press may be outfitted with a Muffin Monster® grinder to pre-condition the screenings before they enter the washer compactor. The grinder breaks open rags, plastics and trash to promote washing and removal of soft organics during the wash cycle. Additionally, pre-conditioned screenings result in superior compaction, reducing the volume of discharge that must be hauled away.

Discharge from the pre-conditioning Muffin Monster or directly from the screen enters a Pre-Wash Zone where the debris is soaked to begin the process of separating organics from the solids. An auger rotor transports the soaked debris into the Active Wash Zone of the Monster Wash Press where a paddle rotor* agitates the material, enhancing wash water penetration throughout the debris. The soft organic washed from the solids pass through a screen and return to the plant's waste stream for treatment. The washed solids are moved to the Transport and Compaction Zone where water is removed and the solids are compacted. The resultant discharge emerges from the Monster Wash Press as a dry, solid plug.

FEATURES AND BENEFITS

Dual Shafted Grinder (optional)

- 30K Muffin Monster grinds screenings discharge for the best washing and compacting
- Easy to retrofit grinderless Monster Wash Press with Muffin Monster

Pre-Wash Zone

- Soaks screenings to jump-start separation of organics from solids
- Brushless auger rotor to promote free movement of debris to active wash zone

Active Wash Zone

- Paddle rotor* mixes and break-ups debris in wash zone to optimize separation of soft organics from solids
- Brushed rotor keeps screen clean
- 2, 3, or 6 mm perforated screens to separate solids from organics

Easy Maintenance

- Segmented auger rotor brush for easy brush replacement
- Removable top cover and drive end plate* minimizes clearance space needed to remove rotor and screen
- Field replaceable screen
- Multiple inspection ports for easy examination of equipment and operation

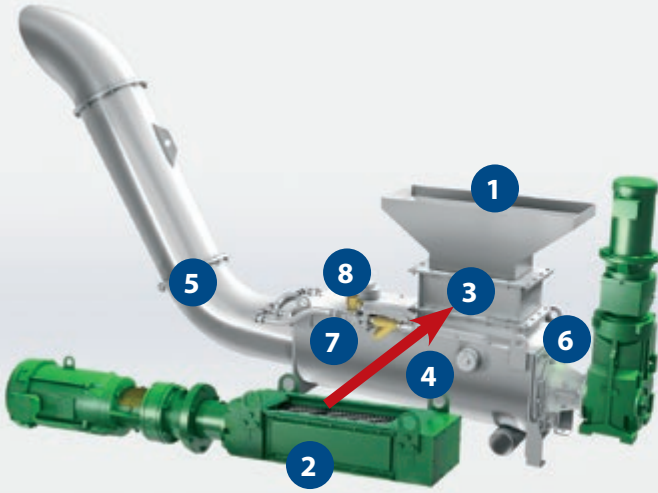


The Monster Wash Press is available only in North America

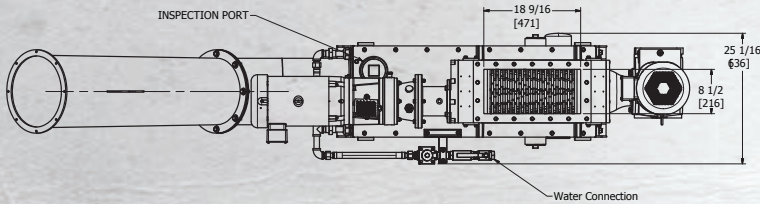
* Patent Pending

www.jwce.com

MONSTER WASH PRESS DETAILS



1. Hopper collect screenings
2. Muffin Monster grinds up material (optional)
3. Easy to install grinder later
4. Active Wash Zone cleans screenings
5. Cleaned discharge is dewatered and compacted
6. Removable top cover and drive end plate for easy removal of rotor and screen
7. Segmented rotor brush for easy brush replacement
8. Inspection ports

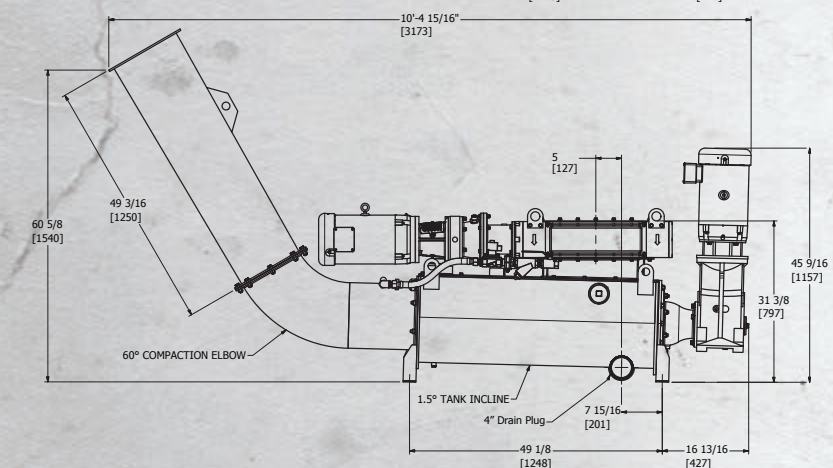
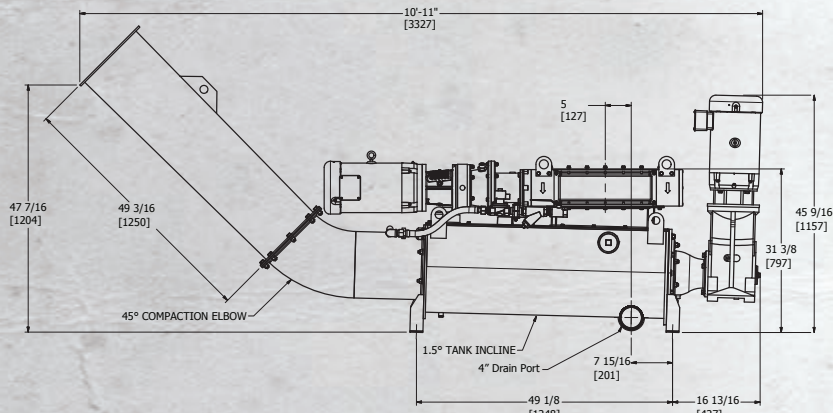


STANDARD CONSTRUCTION

- Tank, screen, compaction elbow and transport tube: 304 stainless steel
- Auger rotor: Alloy steel
- Grinder with MWP3018: Ductile iron housing, hardened alloy steel cutters

OPTIONAL EQUIPMENT

- 316 stainless steel tank, screen, compaction elbow and transport tube
- Discharge bagger
- Stainless steel roller base
- Discharge tip
- Customized hopper
- Customized discharge transport assembly



STANDARD FEATURES

	MWP0018	MWP3018
Grinder Motor - hp (kW)	N/A	10 (7.5)
Auger Screw Motor - hp (kW)	5 (3.7)	5 (3.7)
Upgradeable to Add Grinder	Yes	Grinder Included
Dry Weight w/Controller - lb (kg)	1425 (647)	2025 (920)

PERFORMANCE

	MWP0018	MWP3018
Continuous Throughput - ft ³ /hr (m ³ /hr)	206 (5.8)	78 (2.2)
Batch Output - ft ³ /hr (m ³ /hr)	120 (3.4)	46 (1.3)
Water Capacity* - gpm (l/s)	280 (17.7)	

*For 3mm or 6mm perforated screen

The Monster Wash Press is available only in North America



Headquarters
 2850 S. Red Hill Ave., Suite 125
 Santa Ana, CA 92705 USA
 toll free: **800.331.2277**
 phone: **949.833.3888**
 fax: **949.833.8858**
 email: **jwce@jwce.com**



www.jwce.com